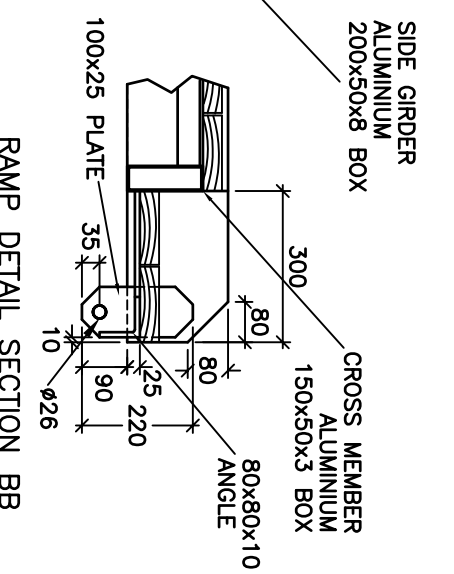
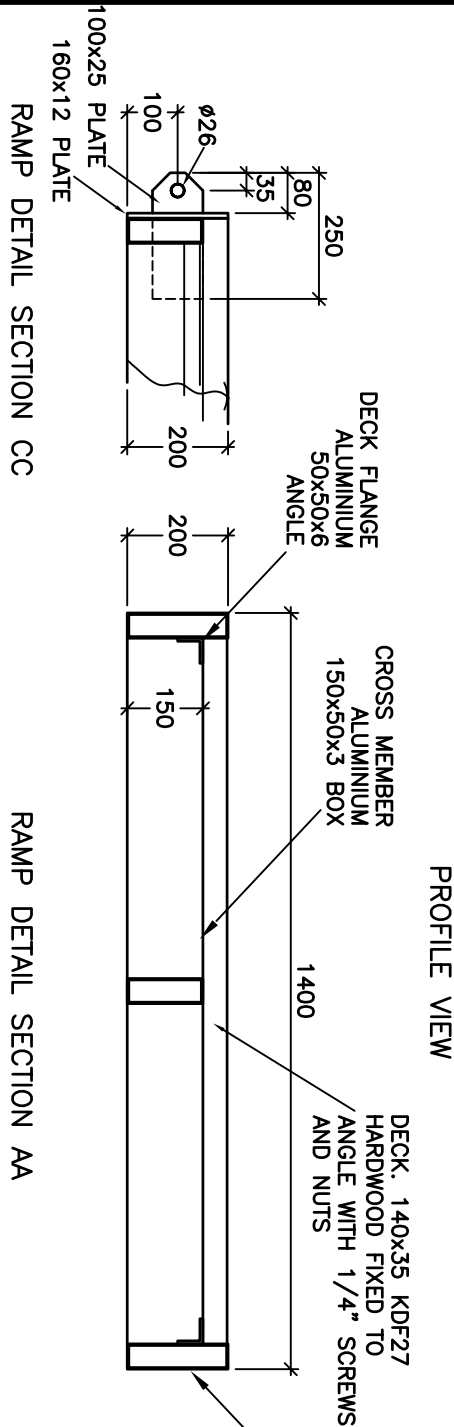
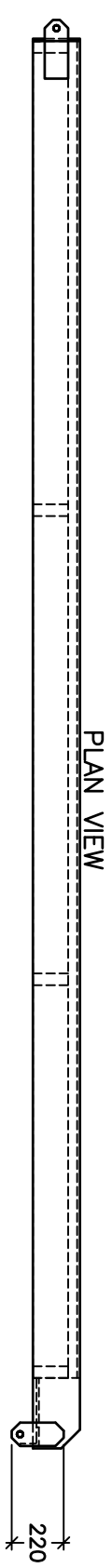


MATERIAL-ALL EXTRUSIONS ARE GRADE 6063-T5 OR EQUIVALENT.
 -ALL STRUCTURE IS FULLY WELDED WITH A NOMINAL FILET OF 5mm.
 -FILLER ALLOY IS GRADE 5356.
 -3/8" DRAIN HOLES TO BE DRILLED IN THE UNDERSIDE OF ALL MEMBERS



RAMP DETAIL SECTION CC

RAMP DETAIL SECTION AA

RAMP DETAIL SECTION BB

MARINE DOCK SYSTEMS
PTY LTD

1.4m x 6.0m
 ALLOY-TIMBER RAMP
 WITH STEP

RAMP-2982



SCALE	N.T.S.	DRAWING No.	A4-2982
DRAWN	J.P.M		
DATE	9/1/03	REV	A