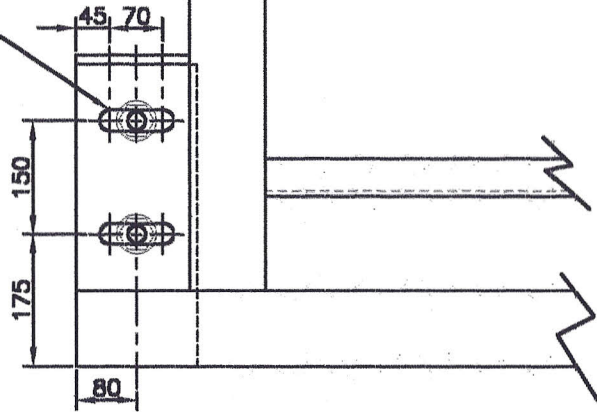


COPYRIGHT ALL RIGHTS RESERVED

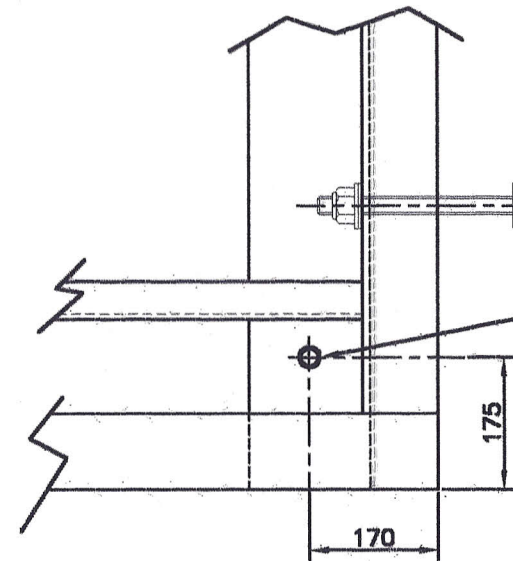
DO NOT SCALE

#28 SLOTTED HOLES FOR M24 STUDS



BOLT FOR JOINING SECTIONS IF REQUIRED

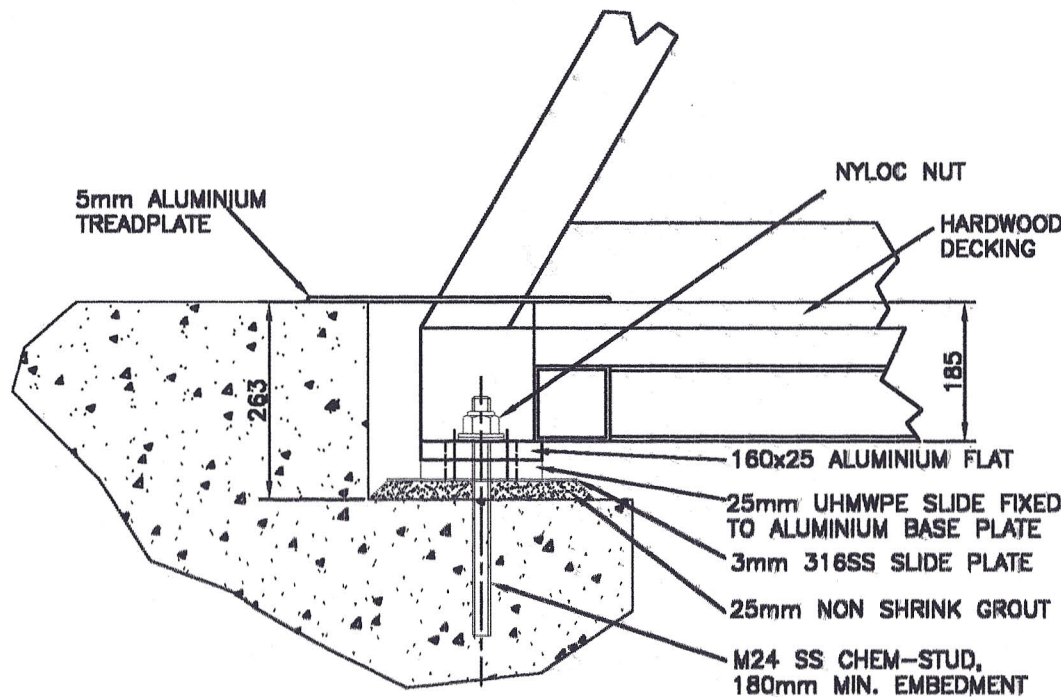
#28 FOR M24 BOLTS



5mm ALUMINIUM TREADPLATE

NYLOC NUT

HARDWOOD DECKING



160x25 ALUMINIUM FLAT

25mm UHMWPE SLIDE FIXED TO ALUMINIUM BASE PLATE

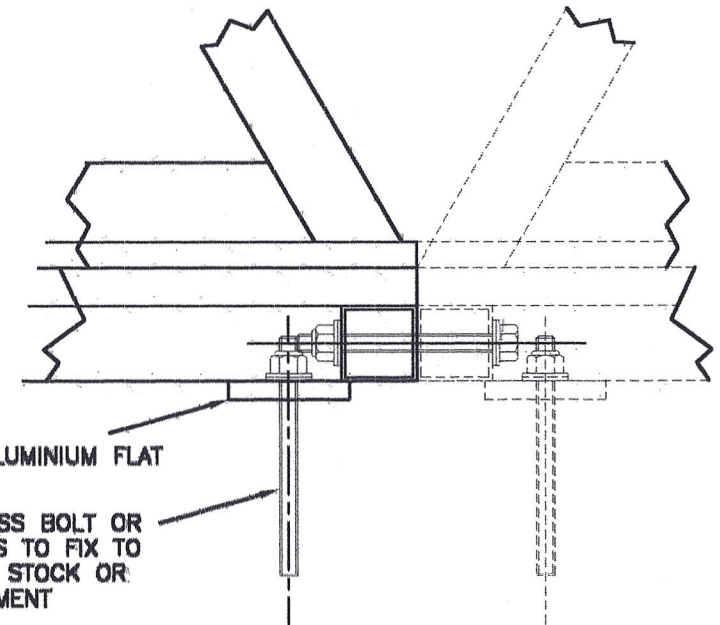
3mm 316SS SLIDE PLATE

25mm NON SHRINK GROUT

M24 SS CHEM-STUD, 180mm MIN. EMBEDMENT

160x25 ALUMINIUM FLAT

M24 SS BOLT OR STUDS TO FIX TO HEAD STOCK OR ABUTMENT



MARINE DOCK SYSTEMS
PTY LTD

ALUMINIUM BRIDGE
ABUTMENT

ABUTMENT
FIXING



SCALE	N.T.S.	DWG	A4-2971	
DRAWN	JPM	REV	A	24,11,03
DATE	31,1,02	CHK		APP'D