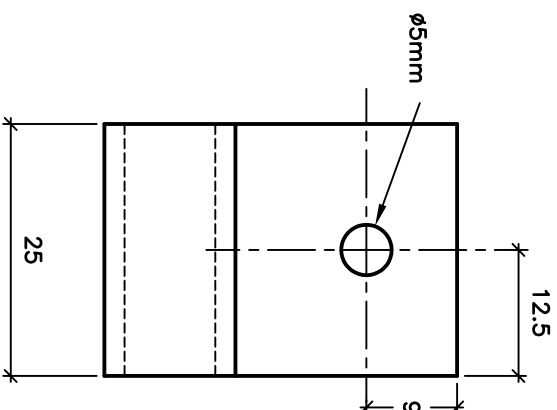
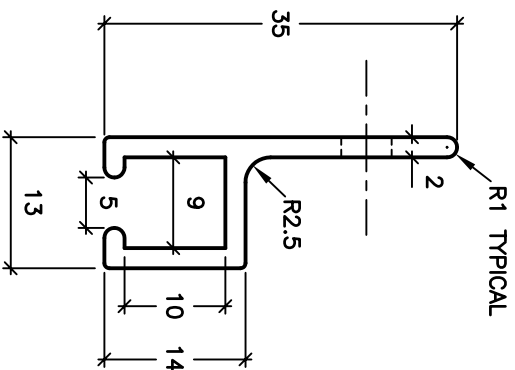


**CLIP-FA-1**

'F' TYPE SPRAY SUPPRESSANT CLIP  
CLIP-488

WEIGHT-8.0 grams

SPRAY SUPPRESSANT MOUNTING CLIPS  
MATERIAL-ALUMINIUM EXTRUSION, GRADE 6060 T4  
H EXTRUSION. TRACK-H-935, F EXTRUSION. TRACK-F-936



**CLIP-HA-1**

'H' TYPE SPRAY SUPPRESSANT CLIP  
CLIP-487

WEIGHT-8.0 grams

**DYNAPLAS PTY LTD**

**SPRAY SUPPRESSANT CLIPS**

**CLIP-FA-1  
CLIP-HA-1**



|       |        |                               |
|-------|--------|-------------------------------|
| SCALE | N.T.S. | DRAWING No.<br><b>A4-1468</b> |
| DRAWN | B J M  |                               |
| DATE  | 7.9.98 | REV                           |
|       |        | D                             |