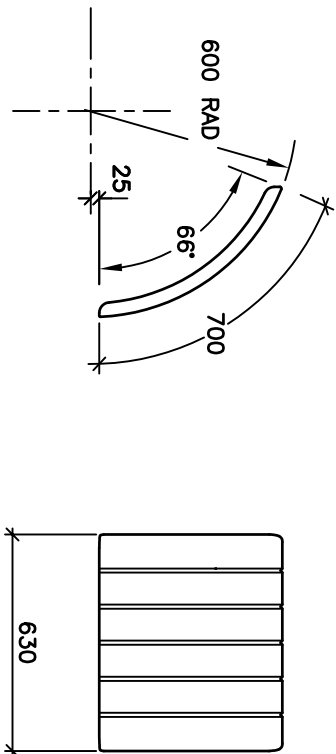


**A630/4C**

QUARTER MUDGUARD

GUARD-1238



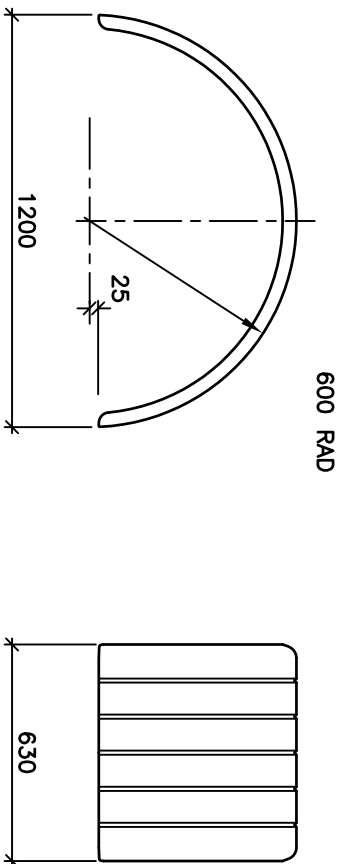
WEIGHT - 2.5kg

SPRAY SUPPRESSANT LENGTH-1650mm

**A630C**

FULL MUDGUARD

GUARD-1239



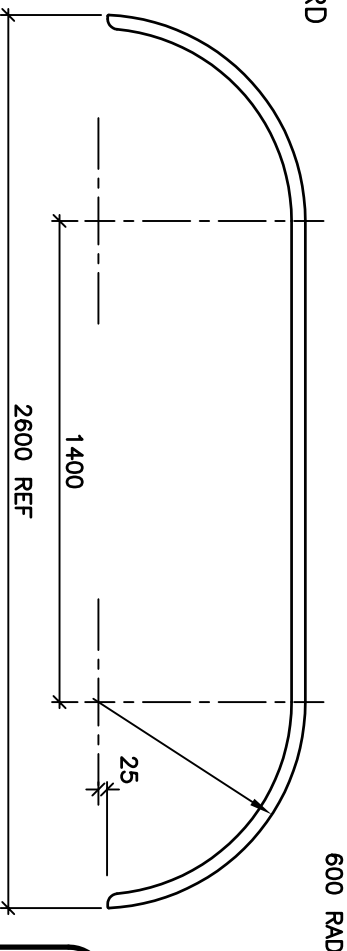
WEIGHT - 6.5kg

SPRAY SUPPRESSANT LENGTH-3100mm

**A630CT**

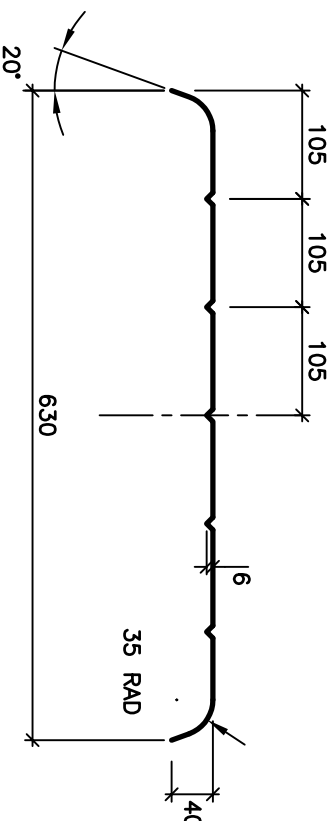
TANDEM MUDGUARD

GUARD-1587



WEIGHT - 11.0kg

SECTION PROFILE



\*TANDEM MUDGUARD HAS THE SAME END VIEW AND SECTION PROFILE AS THE A630C

CURVED EDGE ALUMINIUM MUDGUARDS  
MATERIAL-SATIN FINISH ALUMINIUM  
GAUGE-ALL GUARDS ARE 2.0mm



SCALE	N.T.S.	DRAWING No.
DRAWN	J.P.M	
DATE	19.6.98	REV
		E