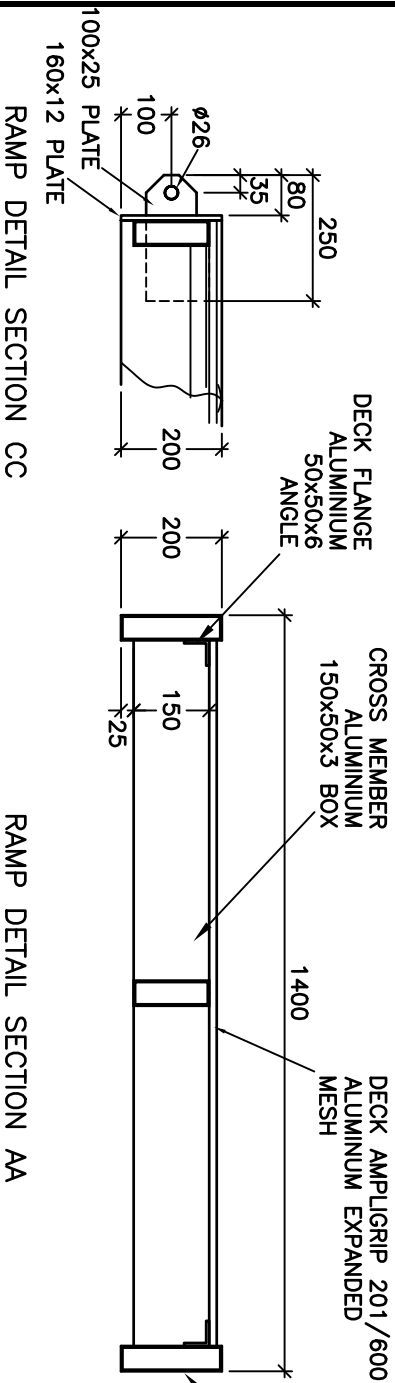
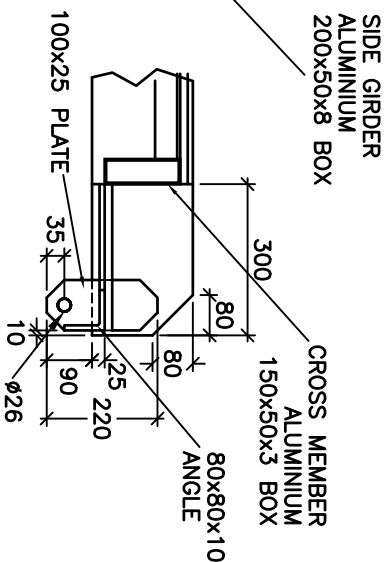


MATERIAL—ALL EXTRUSIONS ARE GRADE 6063-T5 OR EQUIVALENT.
 —ALL STRUCTURE IS FULLY WELDED WITH A NOMINAL FILLET OF 5mm.
 —FILLER ALLOY IS GRADE 5356.
 —3/8" DRAIN HOLES TO BE DRILLED IN THE UNDERSIDE OF ALL MEMBERS

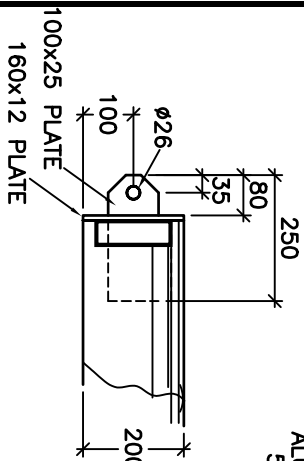
PROFILE VIEW



RAMP DETAIL SECTION BB



RAMP DETAIL SECTION CC



DRAWING NO.

A4-2982X

**MARINE DOCK SYSTEMS
PTY LTD**

**6.0m x 1.4m
ALLOY - MESH RAMP
WITH STEP**

RAMP-2982X



SCALE	N.T.S.
DRAWN	J.P.M
DATE	9/1/03

REV

A