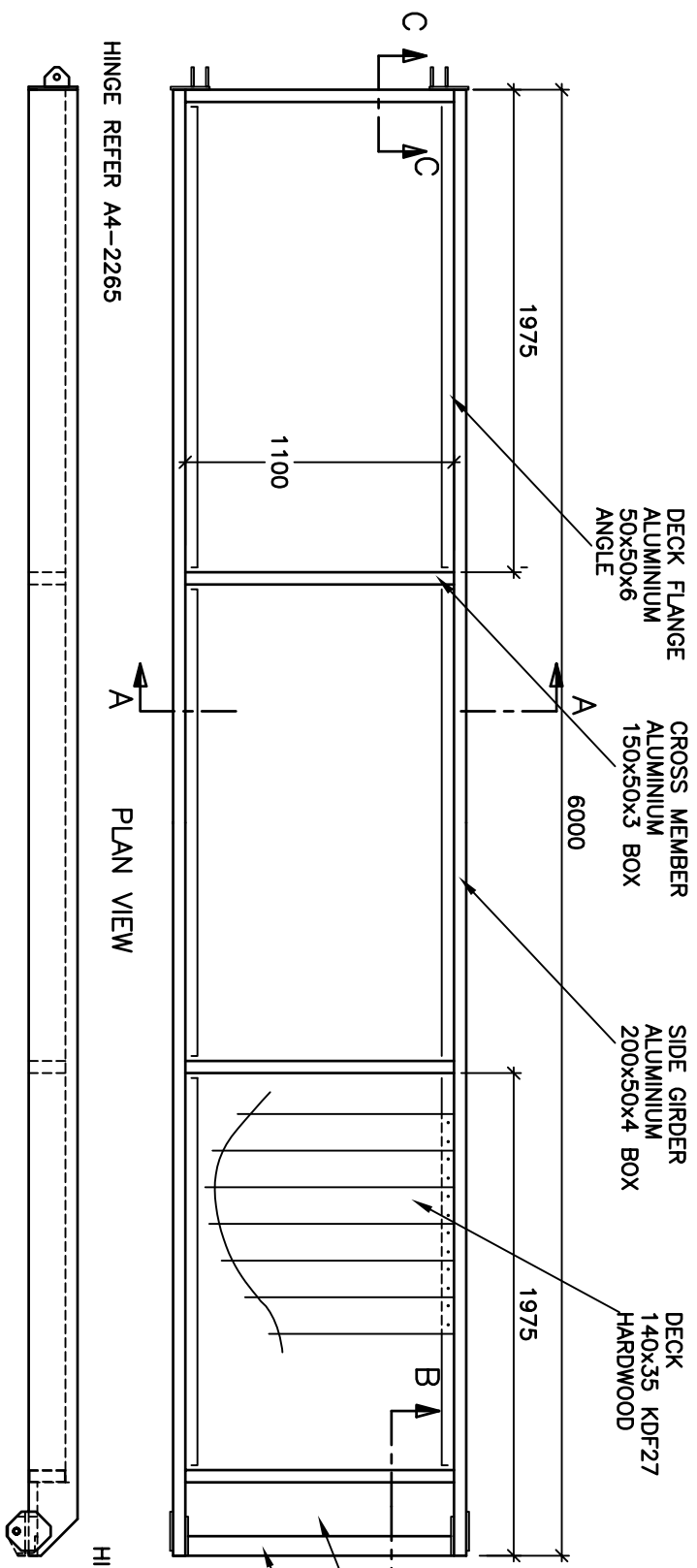
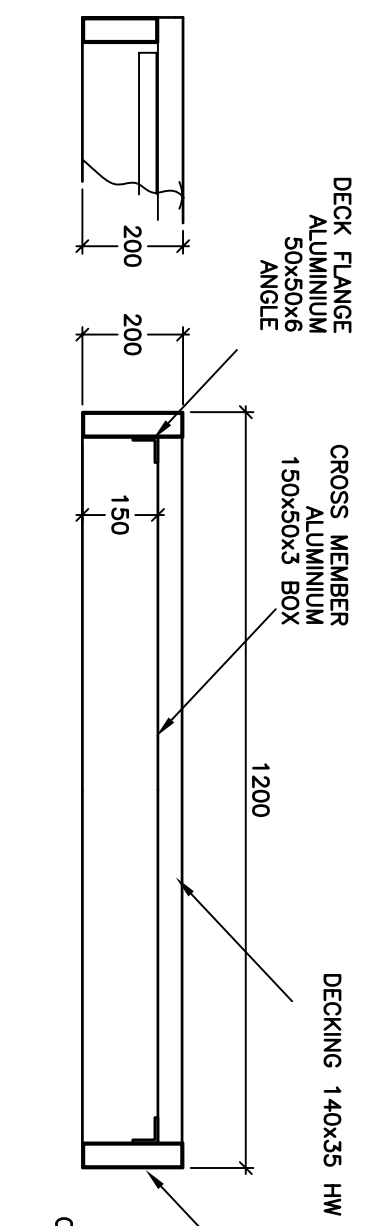


MATERIAL-ALL EXTRUSIONS ARE GRAC 6063-T5 OR EQUIVALENT.
 -ALL STRUCTURE IS FULLY WELDED WITH A NOMINAL FILLET OF 5mm.
 -FILLER ALLOY IS GRADE 5356.
 -3/8" DRAIN HOLES TO BE DRILLED IN THE UNDERSIDE OF ALL MEMBERS



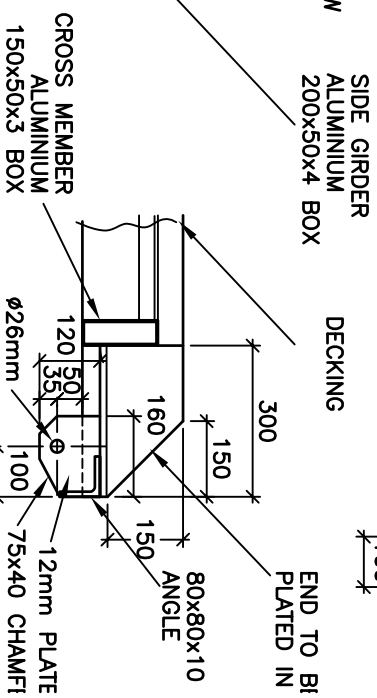
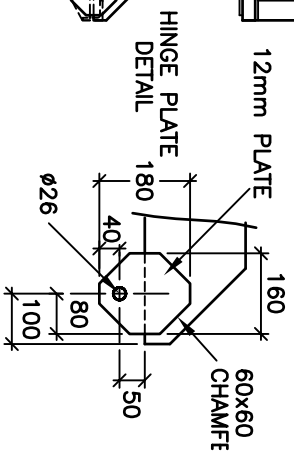
PROFILE VIEW



RAMP DETAIL SECTION CC

RAMP DETAIL SECTION AA

RAMP DETAIL SECTION BB



MARINE DOCK SYSTEMS
PTY LTD

6.0m x 1.2m
ALLOY TIMBER RAMP

RAMP-2577



SCALE	N.T.S.	DRAWING NO.	A4-2577
DRAWN	J.P.M	REV	A
DATE	6,5,98		