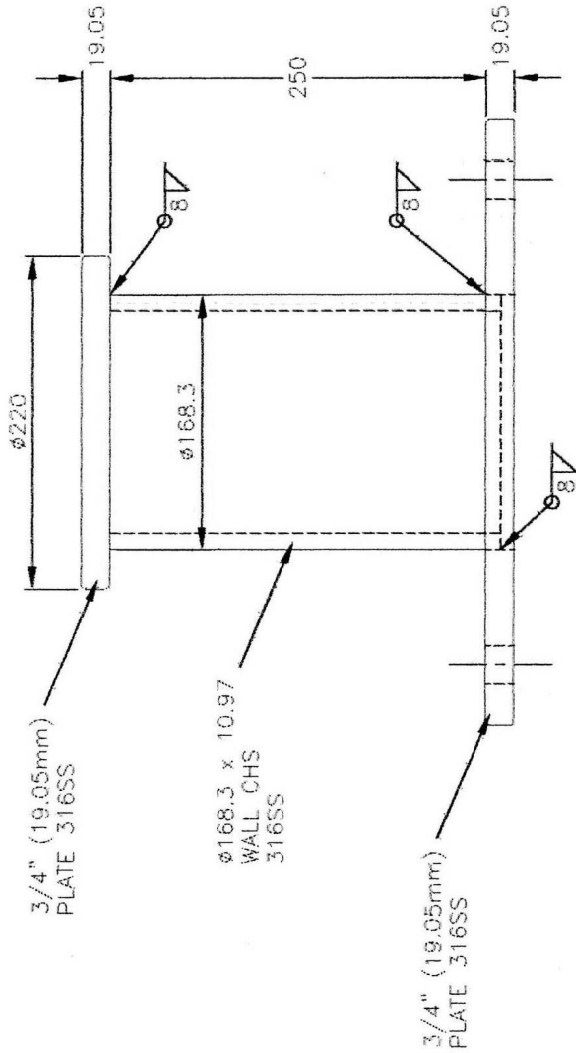
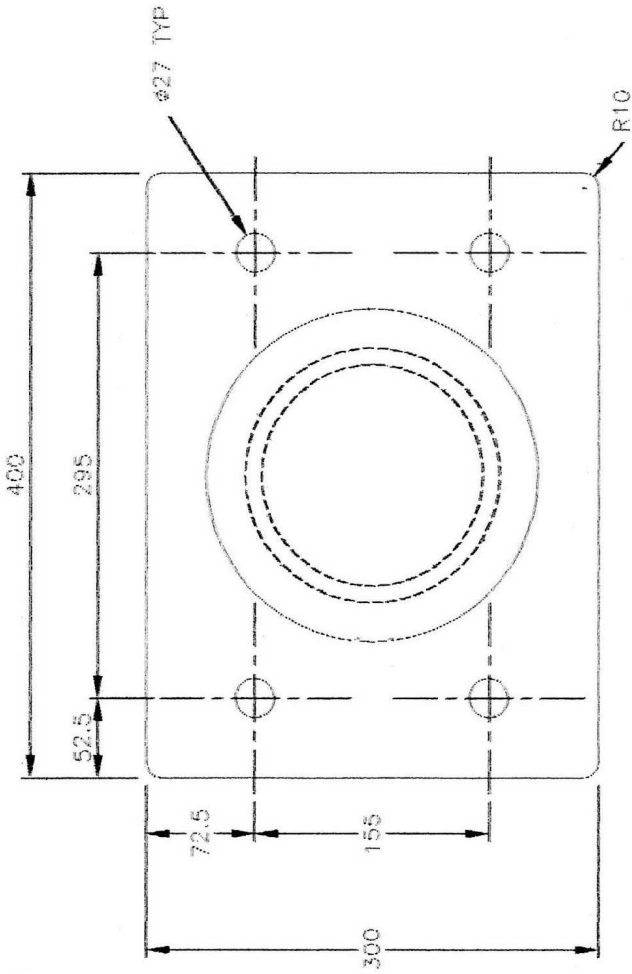


ALL MATERIAL IS 316SS.
 ALL WELDS ARE 8mm FILLET
 WELDS
 FILLER MATERIAL TO BE 316LSI
 ALL WELDS AND CUT EDGES TO BE
 PICKLED.
 ALL MATERIAL TO BE PASIVATED ON
 COMPLETION



SYDNEY FERRIES
 STAINLESS STEEL
 BOLLARD

MARINE ADVISORY
 SERVICES

MARINE DOCK SYSTEMS
 PTY LTD

SCALE	N.T.S.	DWG	A4-3173	
DRAWN	B.J.M	REV	B	14,9,05
DATE	13,9,05	CHK		APP'D