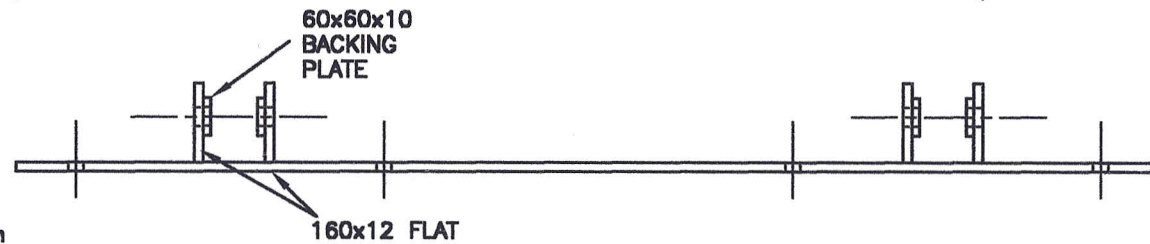
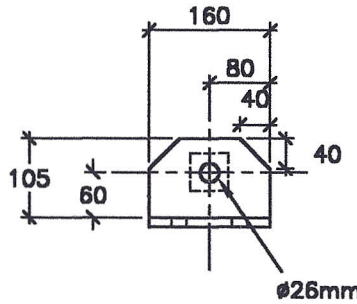
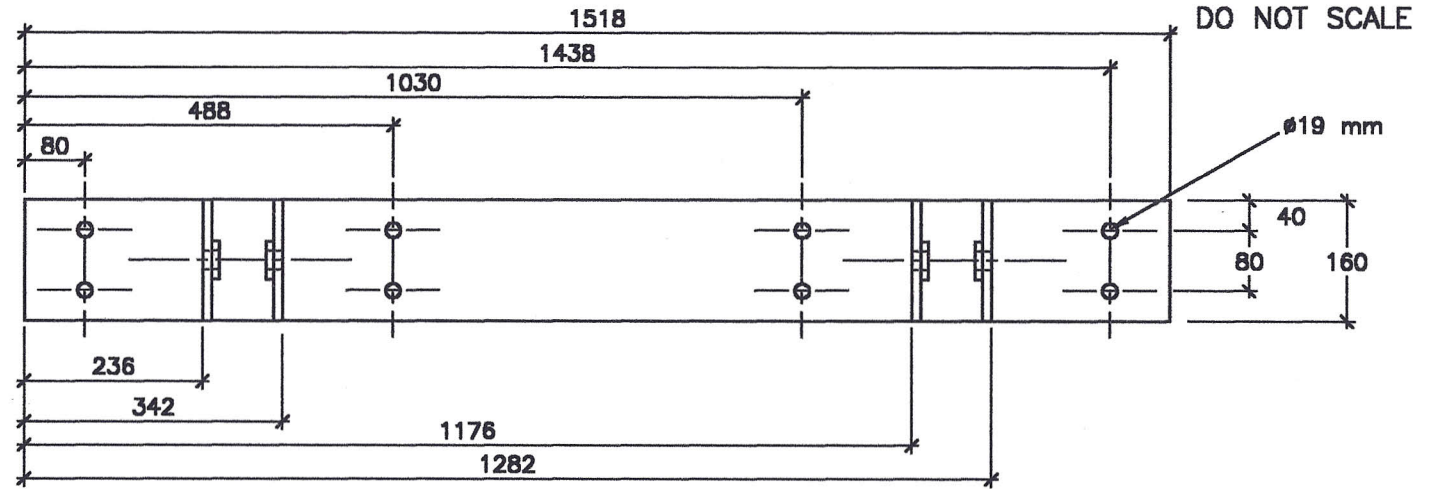


COPYRIGHT ALL RIGHTS RESERVED

NOTE:

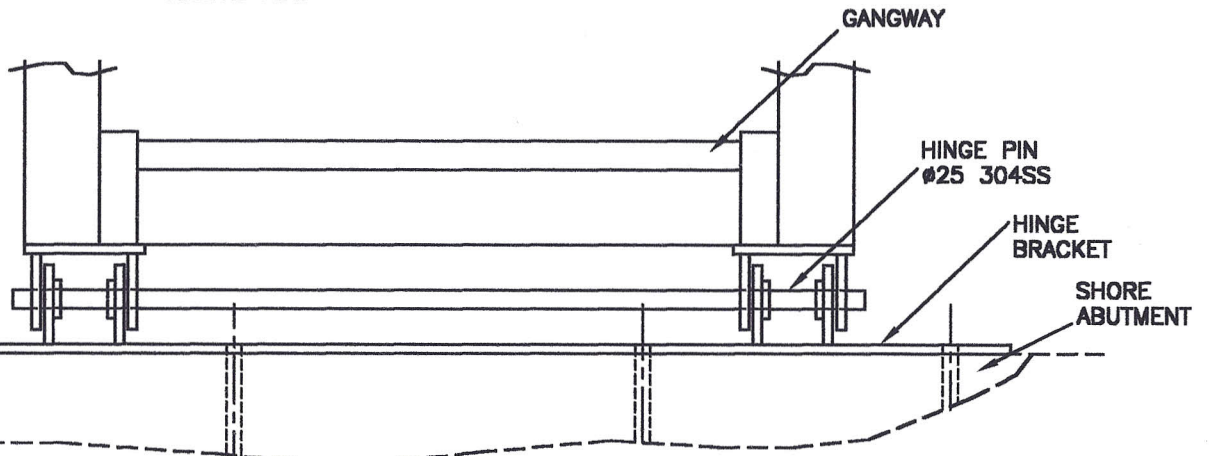
- ALL STRUCTURE IS FULLY WELDED WITH A NOMINAL FILLET OF 5mm
- ALL EXTRUSIONS ARE OF GRADE 6063-T5 OR EQUIVALENT
- FILLER ALLOY IS GRADE 5356
- ALL FASTENERS TO BE CORROSION RESISTANT STAINLESS STEEL



NOTE-SEPERATE HINGE BASE FROM CONCRETE ABUTMENT WITH 3mm INSERTION RUBBER

M16 STUDS 304 OR 316 SS

CONCRETE SHORE ABUTMENT



**MARINE DOCK SYSTEMS
PTY LTD**

**ALUMINIUM GANGWAY
0.9m WIDE TRUSSED**

**GANGWAY HINGE
SHORE ABUTMENT**



SCALE	N.T.S.	DWG	A4-2721	
DRAWN	JPM	REV	B	31,01,01
DATE	25,1,01	CHK		APP'D