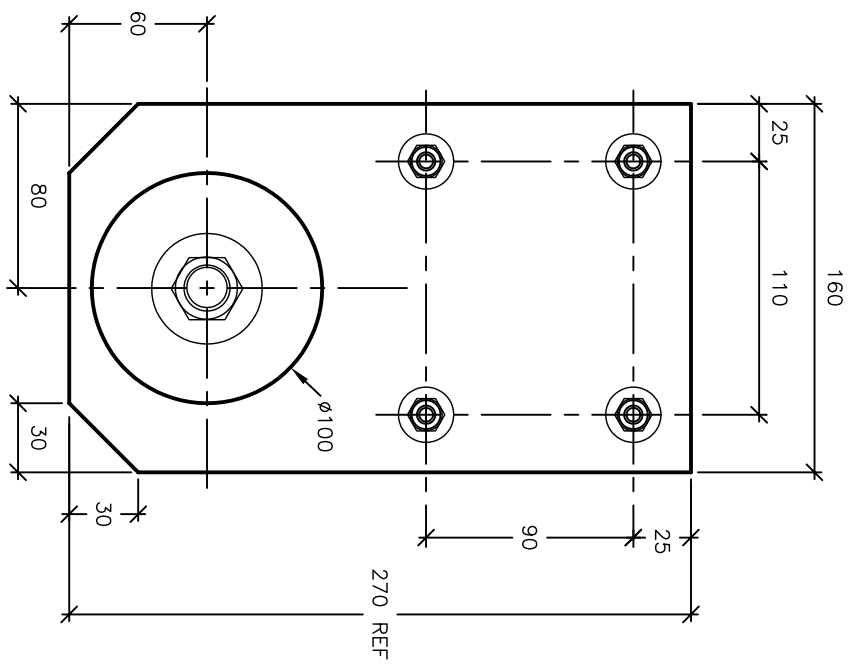
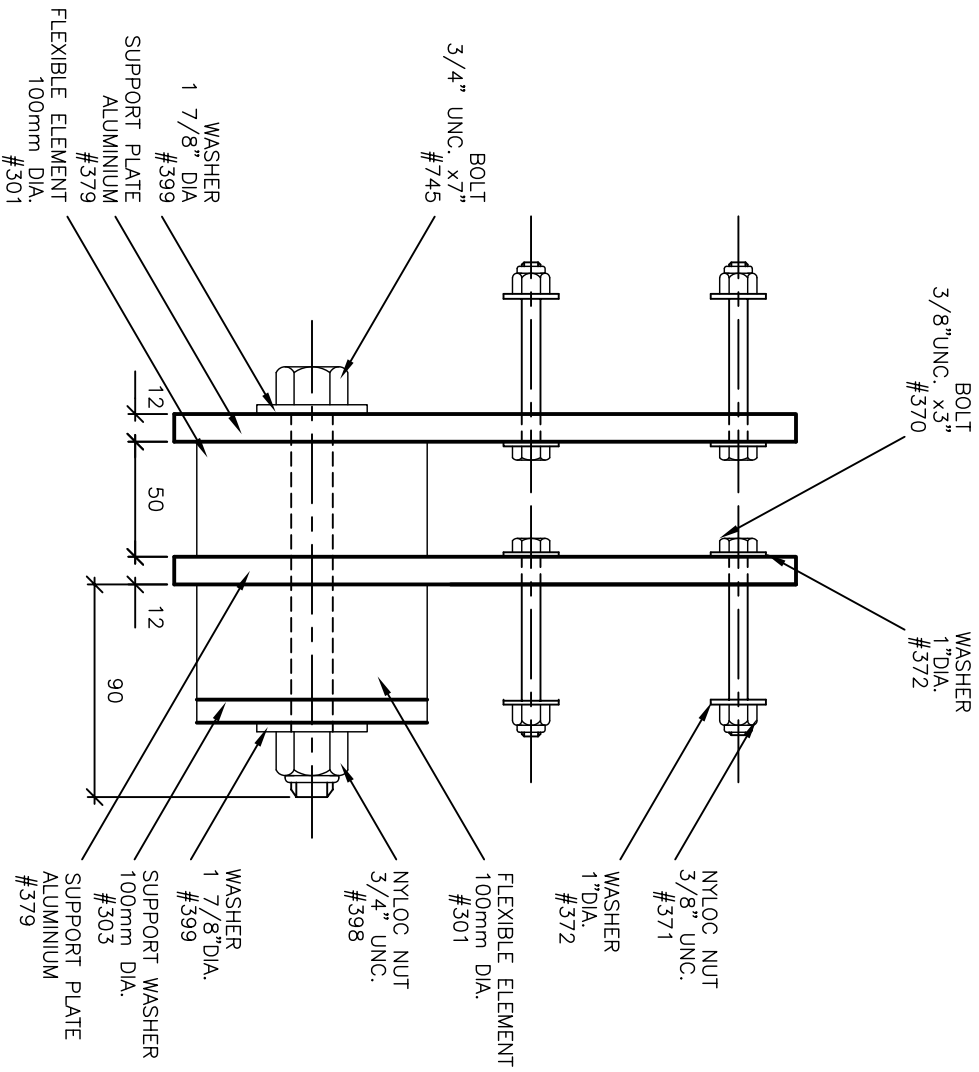


COPYRIGHT ALL RIGHTS RESERVED

FOR INSTALLATION DETAILS REFER TO A4-743

DO NOT SCALE.



COMTOR #400 IS USED TO COUPLE MARINA SECTIONS AND FINGERS TOGETHER.

NOTE -ALL FASTENERS ARE CORROSION RESISTANT STAINLESS STEEL.
-THIS DRAWING IS THE REDESIGNED COMTOR #400, AS OF 16.8.95

MARINE DOCK SYSTEMS
PTY LTD

COMTOR COUPLING
ASSEMBLY

COMTOR
#400

TOLERANCES		SCALE		DRAWING No.	
LINEAR	±1.0	SCALE	N.T.S.	DRAWN	BJM
ANGULAR	±0.2°				
HOLE CTRS	±0.5	DATE	11.4.96	REV	B
A4-400					