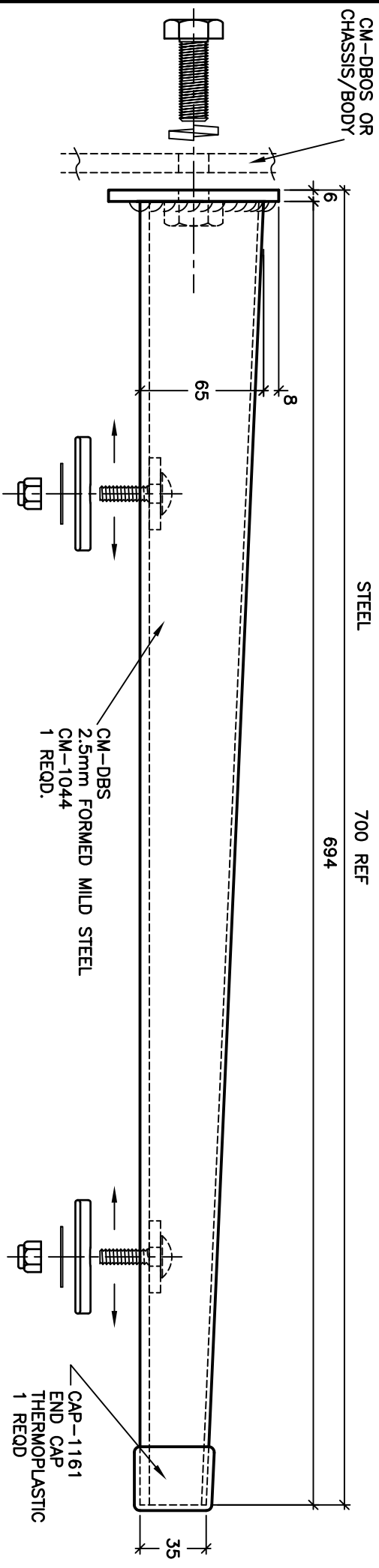


CHASSIS MOUNT D-BOOM
STEEL

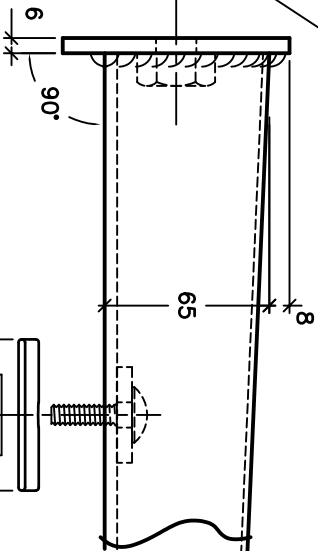
700 REF

694

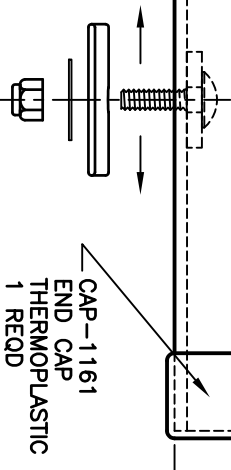


BOLT-1159
5/8" UNF x 1-1/2"
GRADE 8 HIGH TENSILE
HEX HEAD BOLT
ZINC PLATED
1 REQ.

WASHER-1160
5/8" SQUARE SECTION
SPRING WASHER
ZINC PLATED
1 REQ.



CM-DBS
2.5mm FORMED MILD STEEL
CM-1044
1 REQ.



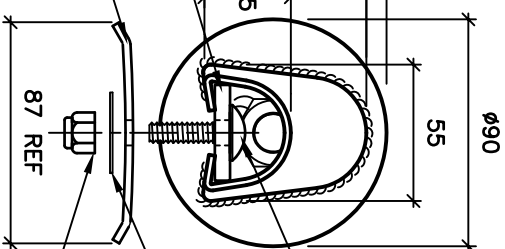
BOLT-1157
3/8" BSW x 1-1/2"
CUP HEAD BOLT
ZINC PLATED
2 REQ.

WASHER-1813
3/8" x 1" FLAT WASHER
ZINC PLATED
2 REQ.

NUT-432
3/8" UNC NYLOC NUT
ZINC PLATED
2 REQ.

WASHER-1040
6mm ALUMINIUM
2 REQ.

BP-DB
BACKING PLATE
3mm ALUMINIUM
BP-1041
2 REQ.



NOTE- D-BOOM CAN BE WELDED TO
CHASSIS/BODY OR BE BOLTED
WITH A 5/8" UNF GRADE 8
HIGH TENSILE BOLT
D-BOOM CAN ALSO BE
"OFFSET MOUNTED" WITH THE
CM1-DBOS.

CHASSIS MOUNT D-BOOM
WEIGHT-2.50kg
FINISH-POWDER COATED BLACK

DYNAPLAS PTY LTD

CHASSIS MOUNT
D-BOOM STEEL
ASSEMBLY

CM1-DBS



SCALE	N.T.S.	DRAWING No.
DRAWN	B J M	A4-1042
DATE	14.3.01	REV
		F