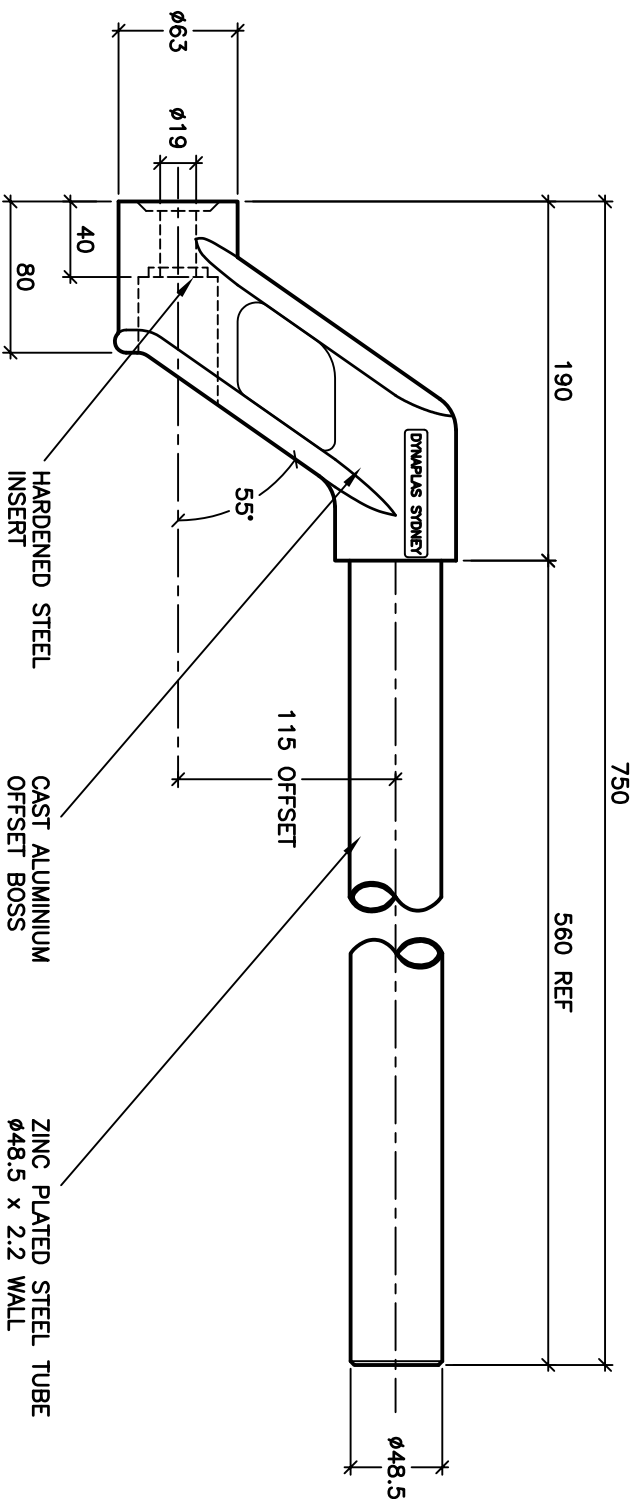


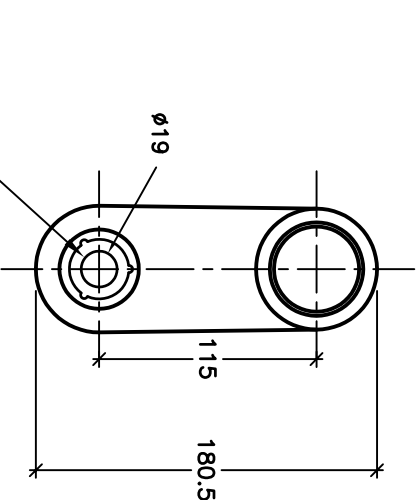
PLAN

CM-0A

OFFSET CHASSIS MOUNT TUBE
ALUMINIUM BOSS




PROFILE



END VIEW

OFFSET CHASSIS MOUNT TUBE

WEIGHT-3.10kg

Page 34		DYNAPLAS PTY LTD		OFFSET CHASSIS MOUNT TUBE		CM-0A			
SCALE	N.T.S.	DRAWN	B J M	DATE	12.9.01	REV	E	DRAWING No. A4-684	