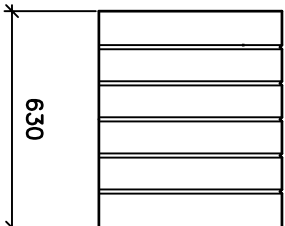
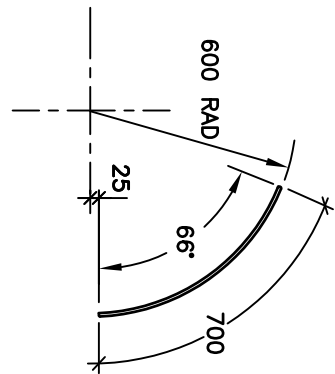


A630/4R

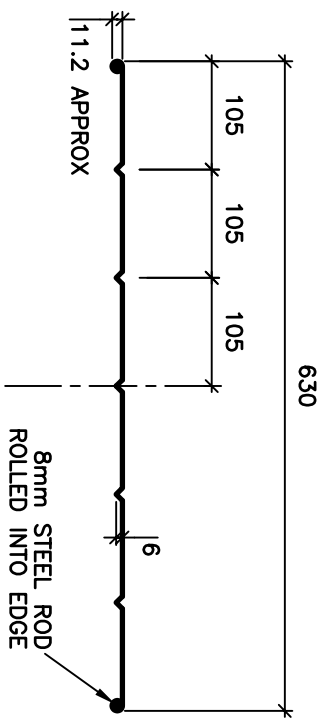
QUARTER MUDDGUARD

GUARD-1240

WEIGHT - 2.5kg



SPRAY SUPPRESSANT LENGTH-1750mm



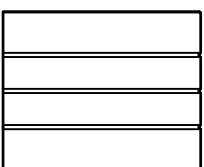
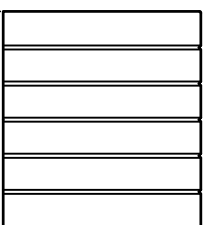
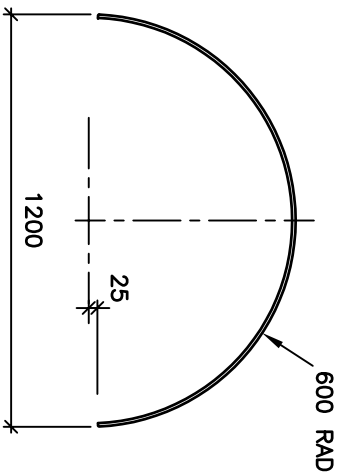
SECTION PROFILE
A630/4R AND A630R

A630R

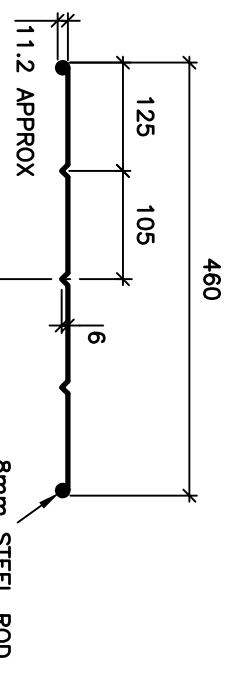
FULL MUDDGUARD

GUARD-1241

WEIGHT - 6.5kg



FULL MUDDGUARD SUPER SINGLE
SPRAY SUPPRESSANT LENGTH-3200mm



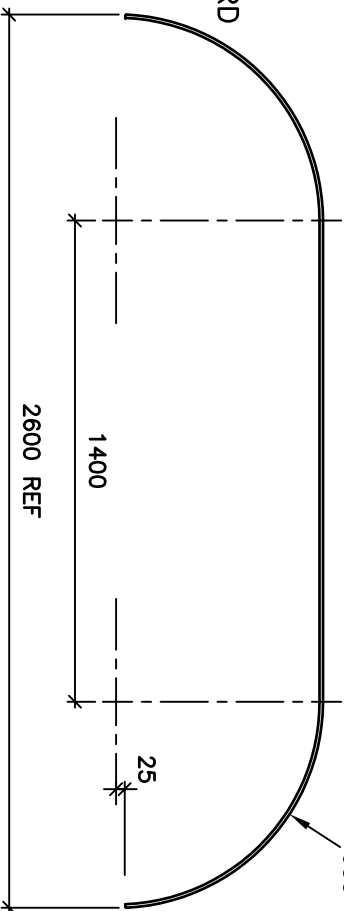
SECTION PROFILE
A460R

A630RT

TANDEM MUDDGUARD

GUARD-1586

WEIGHT - 11.0kg



*TANDEM MUDDGUARD HAS THE SAME END VIEW AND SECTION PROFILE AS THE A630R

REINFORCED EDGE ALUMINIUM MUDDGUARDS

MATERIAL-SATIN FINISH ALUMINIUM
GAUGE-ALL GUARDS ARE 1.6mm

DYNAPLAS PTY LTD

REINFORCED EDGE
ALUMINIUM MUDDGUARD

A630/4R, A630R
A460R & A630RT



SCALE	N.T.S.
DRAWN	B J M
DATE	18.6.98

REV	E	DRAWING No.	A4-442
-----	---	-------------	---------------