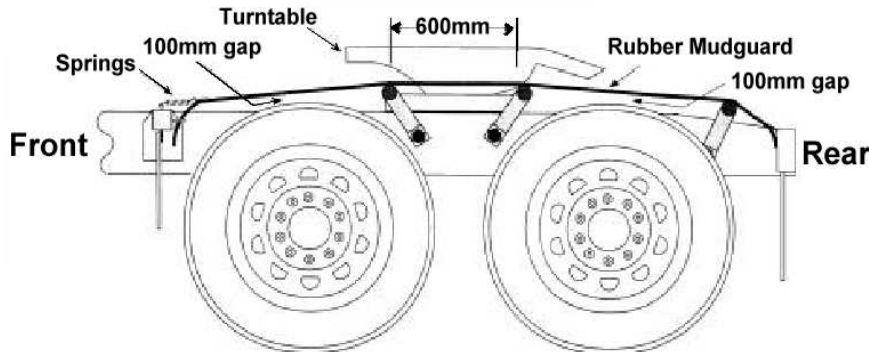


RUBBER MUDGUARDS AND MOUNTING EQUIPMENT

RUBBER MUDGUARDS & EQUIPMENT

DWG# A4 - 3064



NOTE:

To fit a prime mover with dual axle use Part # FGTS27(Recycled) or FGT27 (New Rubber) Along with FGASK for mounting

FLEXI-GUARDS - RECYCLED RUBBER

Recycled Tandem, 2 strips 2.7m x 670mm, 12spr, 8br - 29kg
 Recycled Tandem, 2 strips 3.1m x 670mm, 12spr, 8br - 32kg
 Recycled Triaxle Dual wheels, 2 strips 4.2m x 670mm, 12spr, 8br - 39kg
 Recycled Triaxle Single, 2 strips 4.2m x 550mm, 12spr, 8br - 32.5kg
 Recycled Single axle, 2 strips 1.6m x 670mm, 12spr, 8br - 18kg

PART

FGTS27
 FGTS31
 FGTD42
 FGTS42
 FGSS16

FLEXI-GUARDS - NEW RUBBER

Tandem, 2 strips 2.7m x 670mm, 12spr, 8br - 29kg
 Tandem, 2 strips 3.1m x 670mm, 12spr, 8br - 32kg
 Triaxle Dual wheels, 2 strips 4.2m x 670mm, 12spr, 8br - 39kg
 Triaxle Single, 2 strips 4.2m x 550mm, 12spr, 8br - 32.5kg
 Single axle, 2 strips 1.6m x 670mm, 12spr, 8br - 18kg

FGT27
 FGT31
 FGTD42
 FGTS42
 FGS16

FLEXI-GUARDS - ACCESSORIES

End bracket wide 40mm x 3mm x 670mm - 1 piece only - 0.58kg
 End bracket hooks 40mm x 3mm x 670mm - 1 piece only - 0.62kg
 End bracket narrow 20mm x 3mm x 670mm - 1 piece only - 0.3kg
 Springs - 1 only spring - 0.18 kg
 Recycled rubber strip - 2 ply 660mm wide - 4.46 kg - sold per mtr.
 New rubber strip - 1ply 660mm wide - 4kg - sold per mtr.
 Support kit - Tandem dual (6 x FGSBR) + (2 x FGMB) - 35kg
 Support bracket rotating - 4 kg
 Support mount bracket (front and spring mounts) Left - 6kg
 Support mount bracket (front and spring mounts) Right - 6kg

FGAEBW
 FGAEBH
 FGAEBN
 FGAS
 FGARS
 FGAR
 FGASK
 FGSBR
 FGMB L
 FGMB R



SPRAY SUPPRESSANT AS REQUIRED

See spray suppressant section for full range

3112